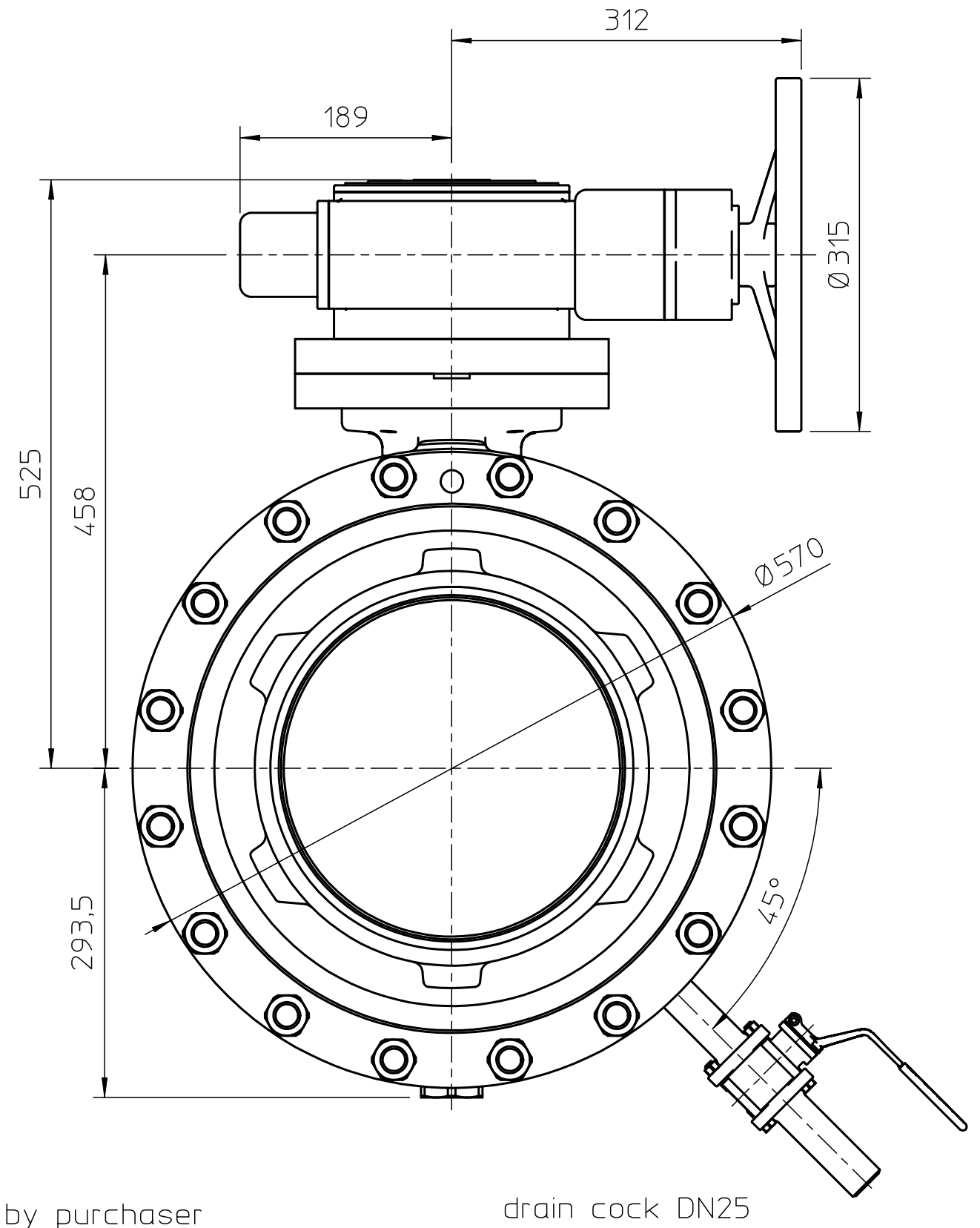
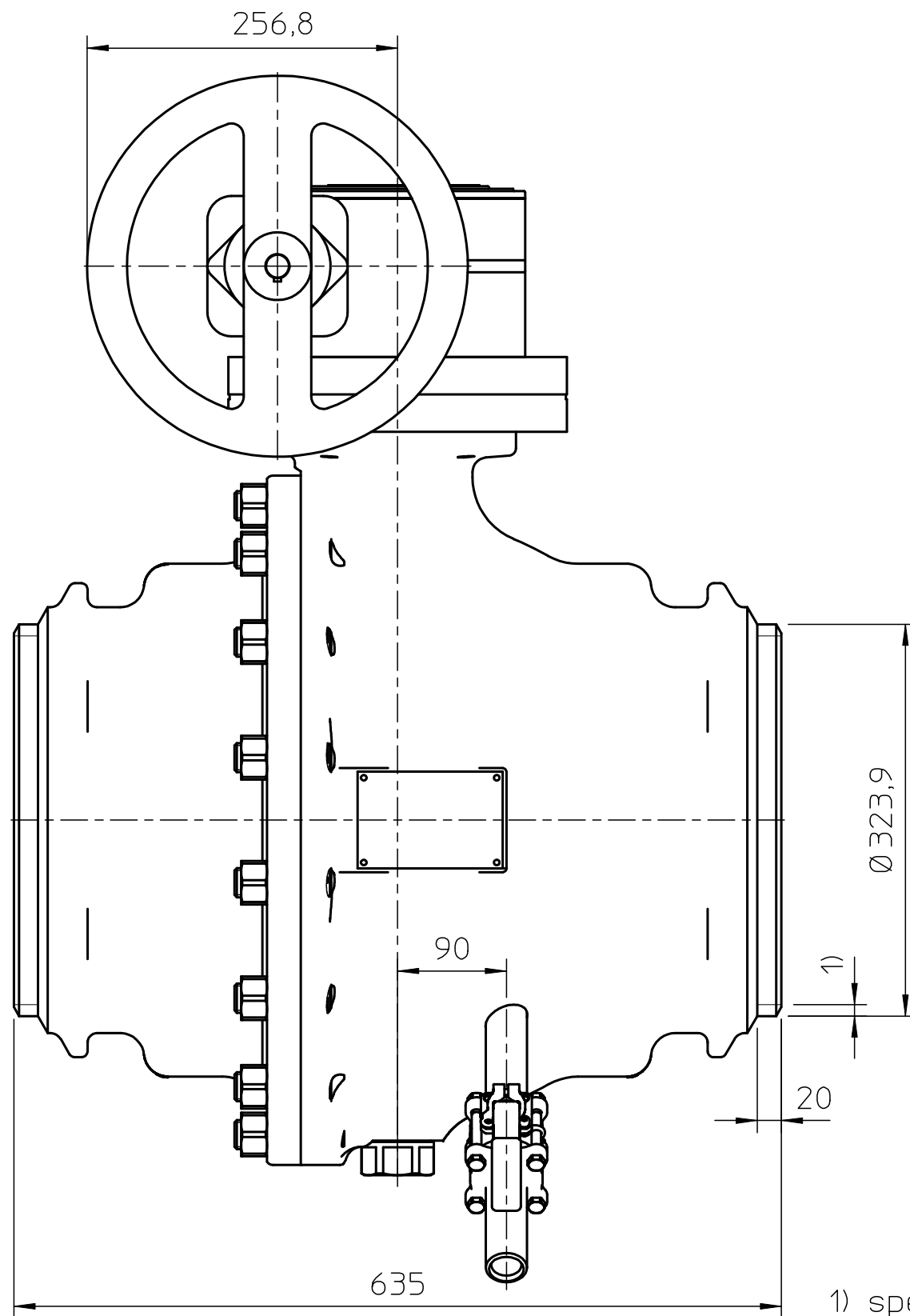


KLINGER ballostar ball valve type KHSV(W)I 300 VII-AF(799)-KFC PN25, with worm gear type AUMA GS100.3/VZ4.3/H.



1) spec. by purchaser

drain cock DN25

total weight: ca. 407kg

drw.: 21.10.10 SA

wOH31780-4